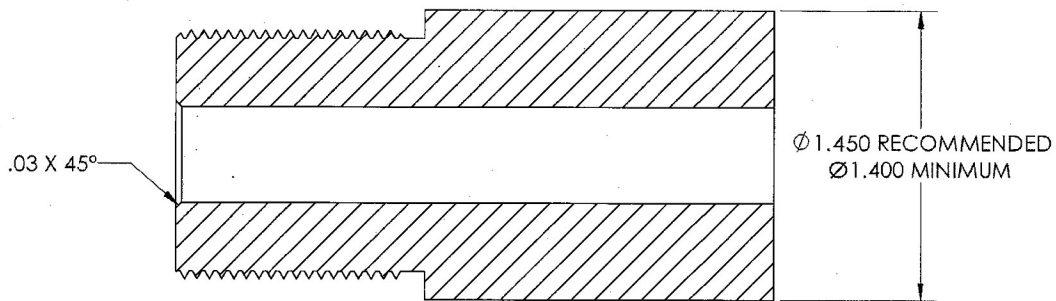


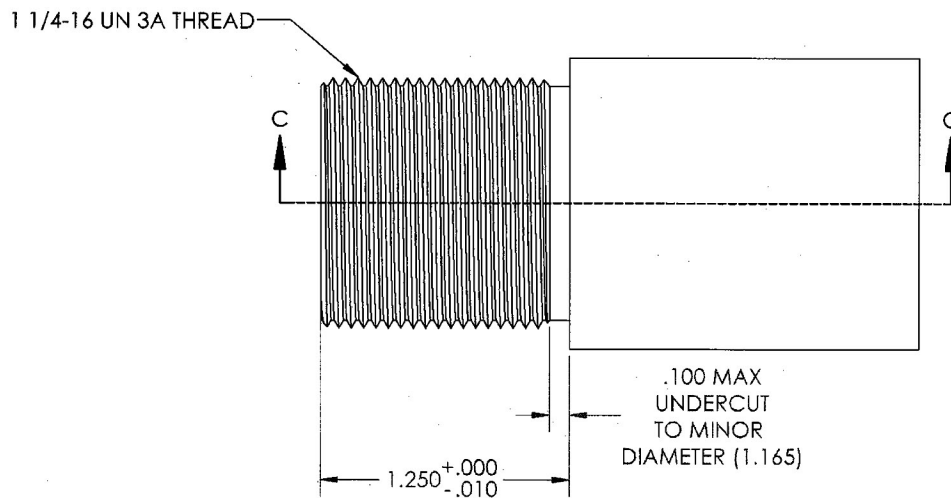


TITAN Action Thread Tenon

This tenon drawing is provided only as a setup guideline at minimum cartridge SAMMI specification. It is the sole responsibility of a qualified gunsmith to verify all dimensions in order to allow for proper clearances.




SECTION C-C



NOTES:

1. THIS TENON DRAWING IS PROVIDED ONLY AS A SETUP GUIDELINE AT **MINIMUM CARTRIDGE SAAMI SPECIFICATION**. IT IS THE SOLE RESPONSIBILITY OF A QUALIFIED GUNSMITH TO VERIFY ALL DIMENSIONS IN ORDER TO ALLOW FOR PROPER CLEARANCES.
2. IT IS RECOMMENDED THAT TENON BE FITTED TO RECEIVER ON AN INDIVIDUAL BASIS.

UNLESS OTHERWISE SPECIFIED:				File Name:		
DIMENSIONS ARE IN INCHES TOLERANCES: FRACTIONAL ± .02 ANGULAR ± 1° TWO PLACE DECIMAL ± .0100 THREE PLACE DECIMAL ± .0050 FOUR PLACE DECIMAL ± .0005 FIVE PLACE DECIMAL ± .0002				TENON		
Material: N/A		Comments:		Description:		
				TITAN TENON		
DO NOT SCALE DRAWING		Finish: N/A		Item #:	P#	R#
		Heat Treat: N/A		Size: B	Configuration Name: TITAN	
				Scale: 3:2	Weight: 0.135	Sheet: 2 OF 2