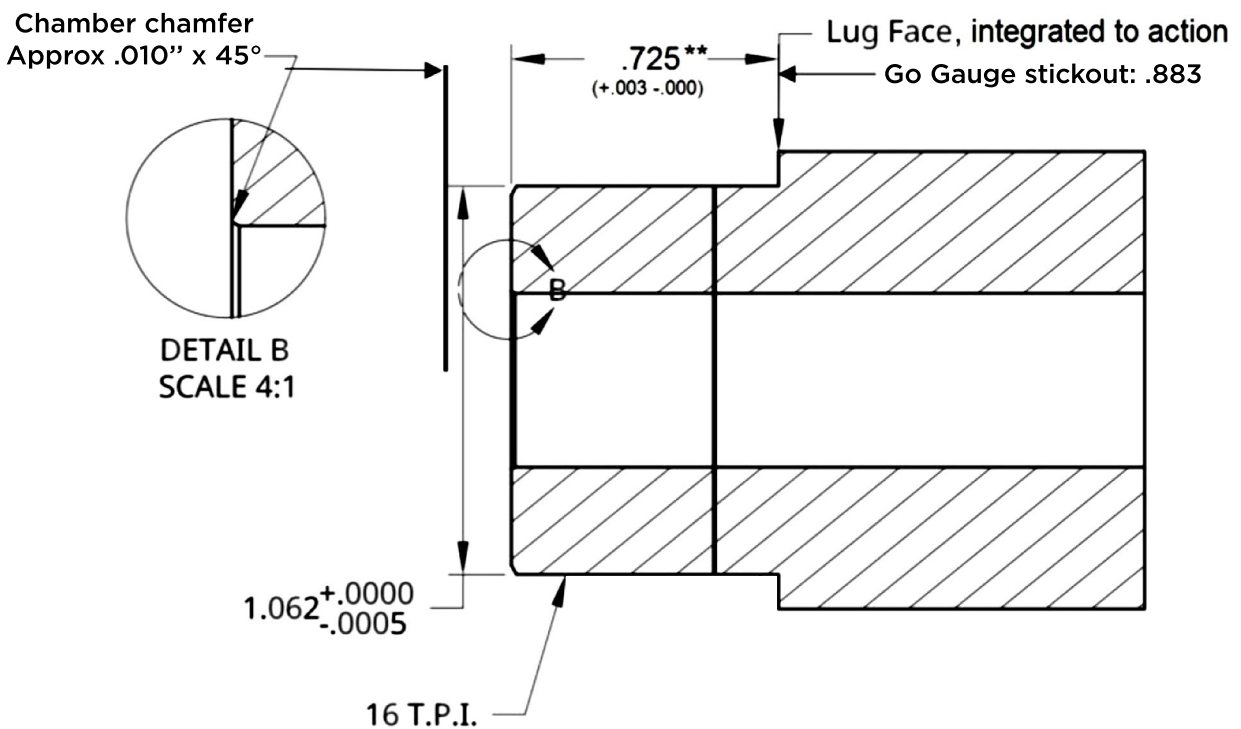




## ZEUS Action Full Thread Tenon

This tenon drawing is provided only as a setup guideline at minimum cartridge SAMMI specification. It is the sole responsibility of a qualified gunsmith to verify all dimensions in order to allow for proper clearances.



Headspace Tolerance: .885" +/- .001"  
0.010" depth with approximately 30° angle is sufficient - user preference.

\*Note: .725 gives a max total of .015" bolt nose to barrel face clearance for thread at approximate .002 thread crush if barrel is to be torqued on at a value no greater than 100 ft/lbs.

\*\*Note: Increasing chamber chamfer may aid in feeding, but decreases case support at the web.