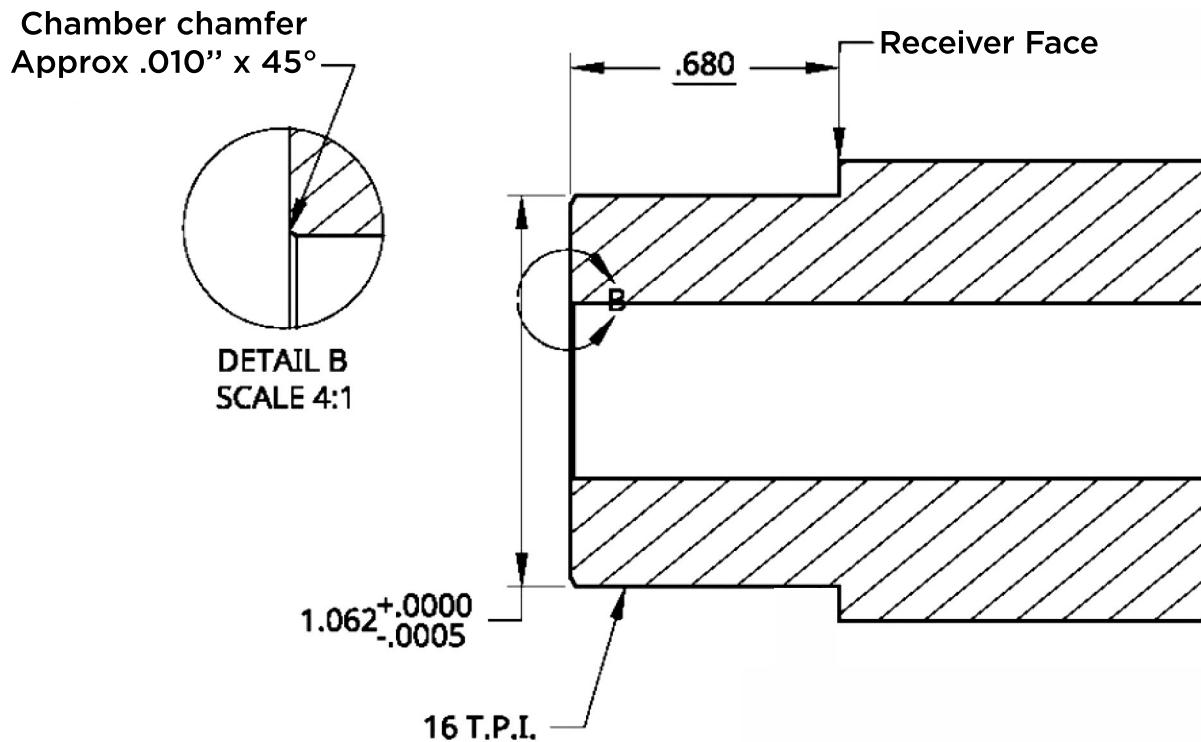




KRATOS, KRATOS X & KRATOS LITE Thread Tenon Formerly Helios & Helios Lite

This tenon drawing is provided only as a setup guideline at minimum cartridge SAMMI specification. It is the sole responsibility of a qualified gunsmith to verify all dimensions in order to allow for proper clearances.



Headspace Tolerance: .835" +/- .001"

Tenon Length of 0.680" leaves 0.010" clearance from bolt nose to barrel face.

It is recommended to chamfer mouth of chamber to ease feeding.

0.010" depth with approximately 30° angle is sufficient - user preference.

*NOTE: Increasing chamber chamfer may aid in feeding, but decreases case support at the web.